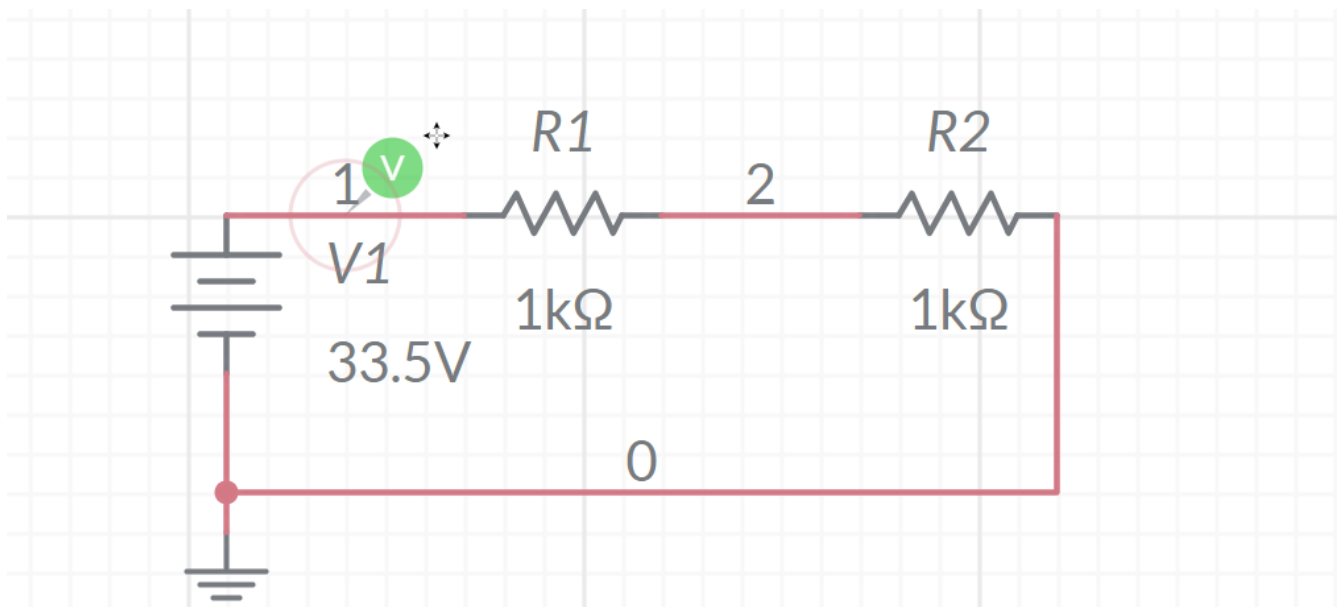
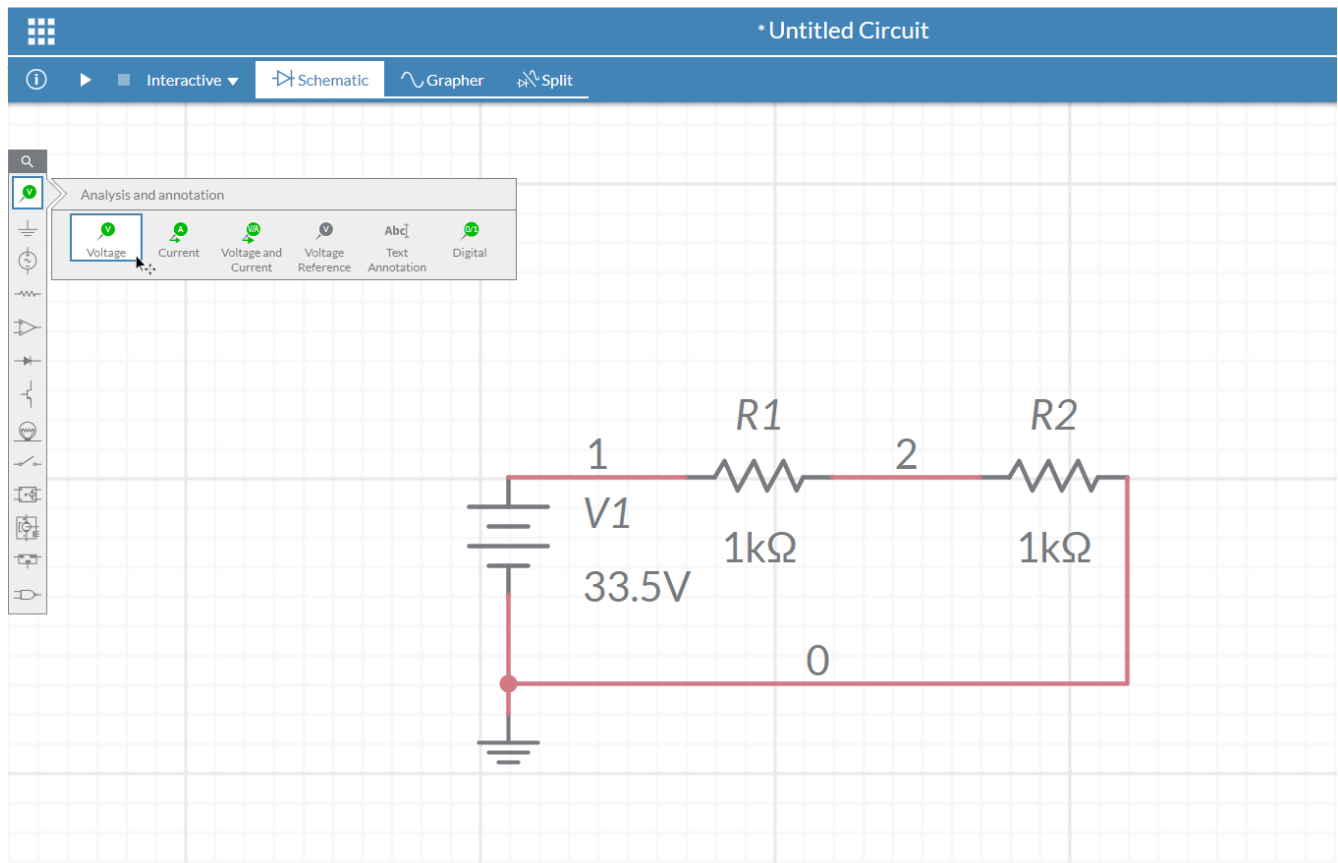


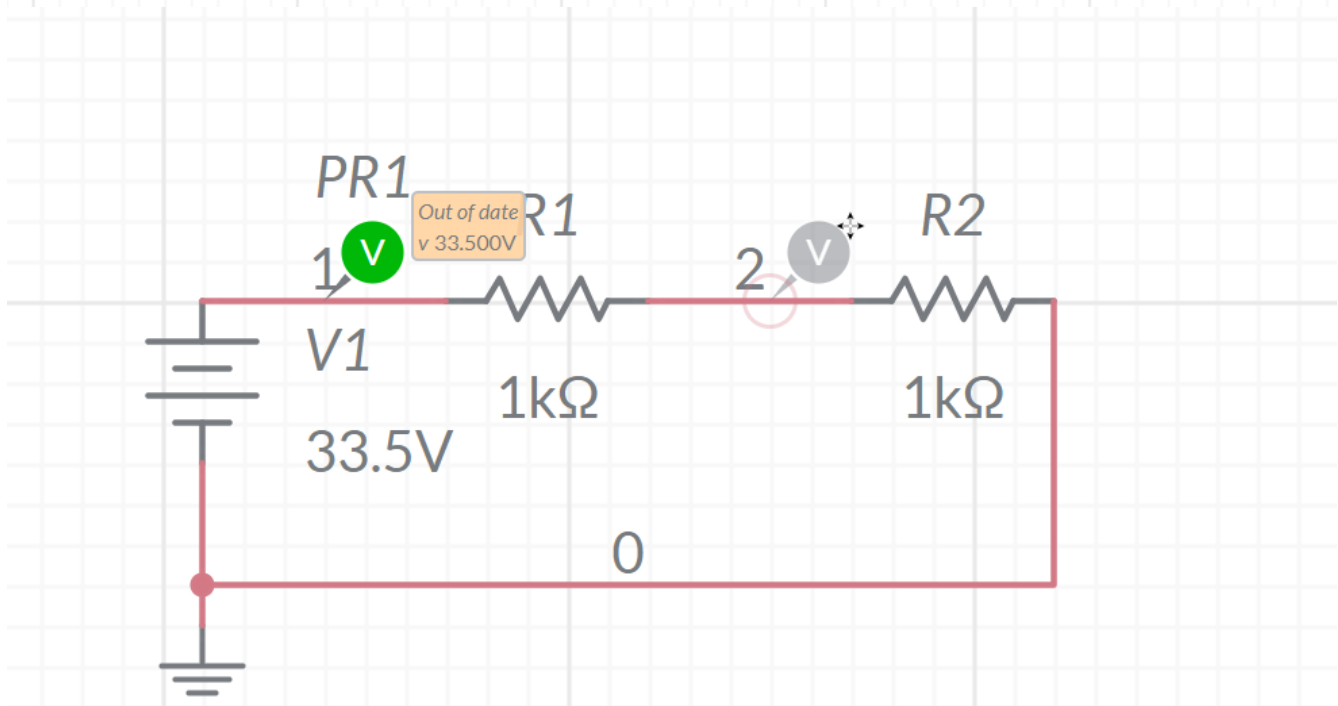
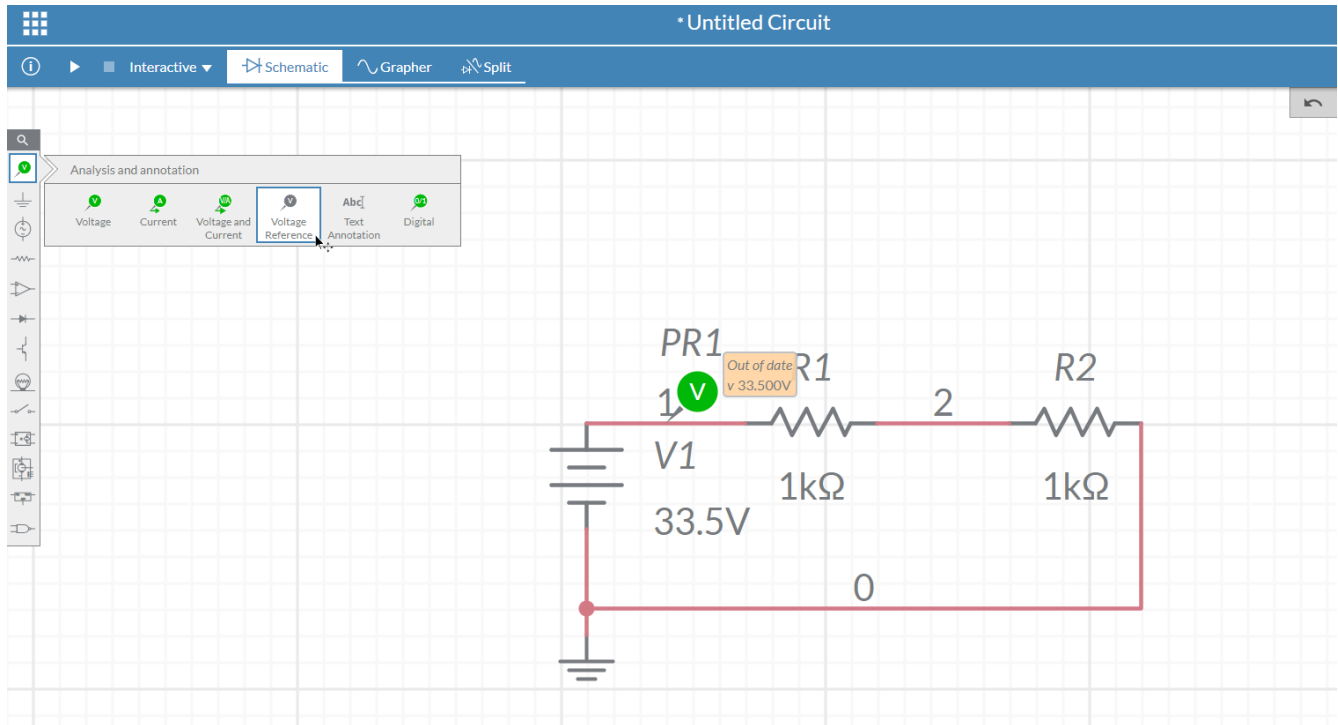
# How to Measure Voltage in Multisim Live

To measure voltage in Multisim we use probes.

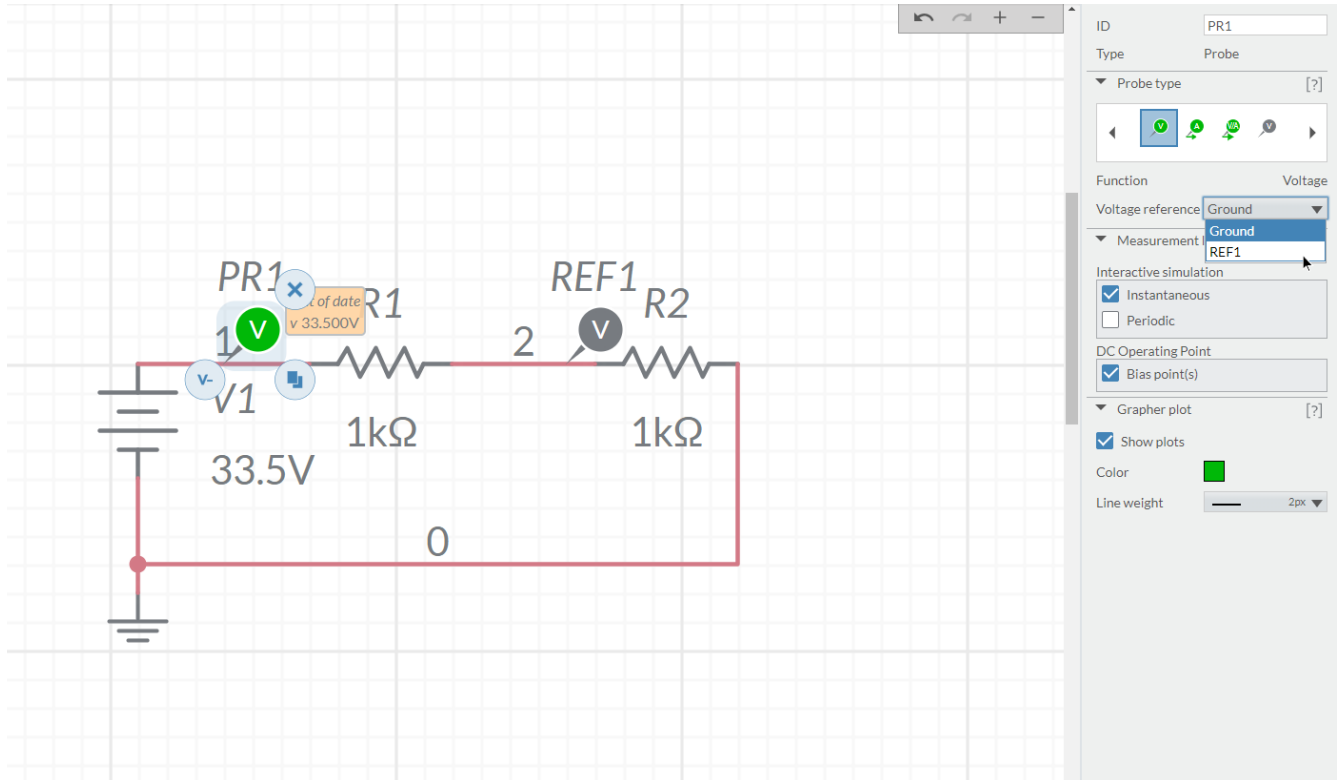
1. Locate the voltage probe icon at the left hand side of the screen



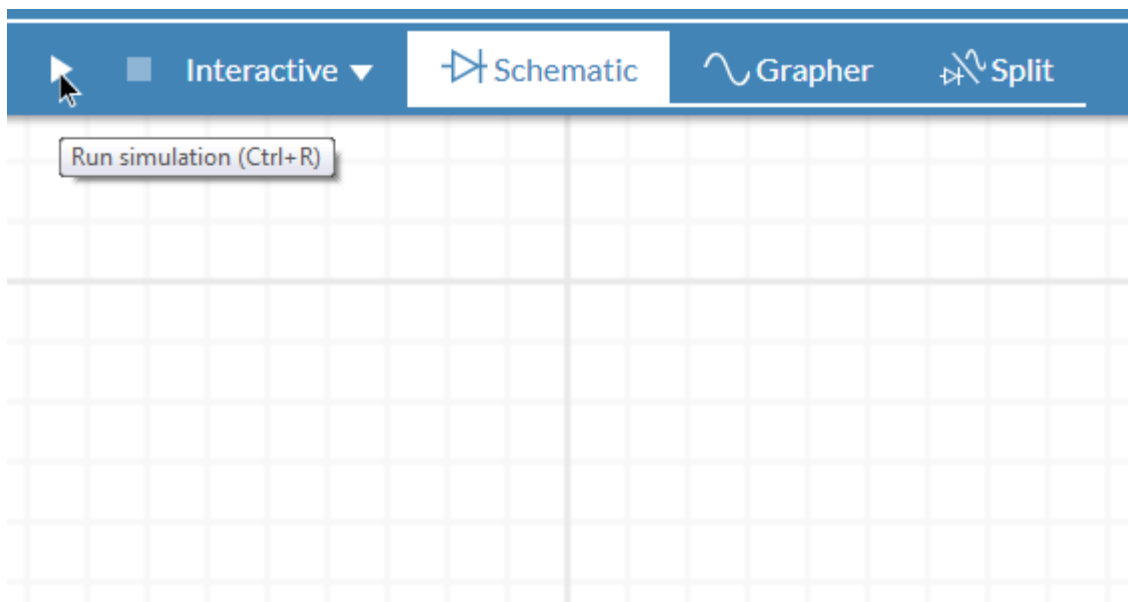
3. Locate a reference probe on the left hand side of the screen



5. Select the voltage probe
6. Change the voltage reference to REF1.



7. Run the simulation



8. The voltage across the resistor should now show.

